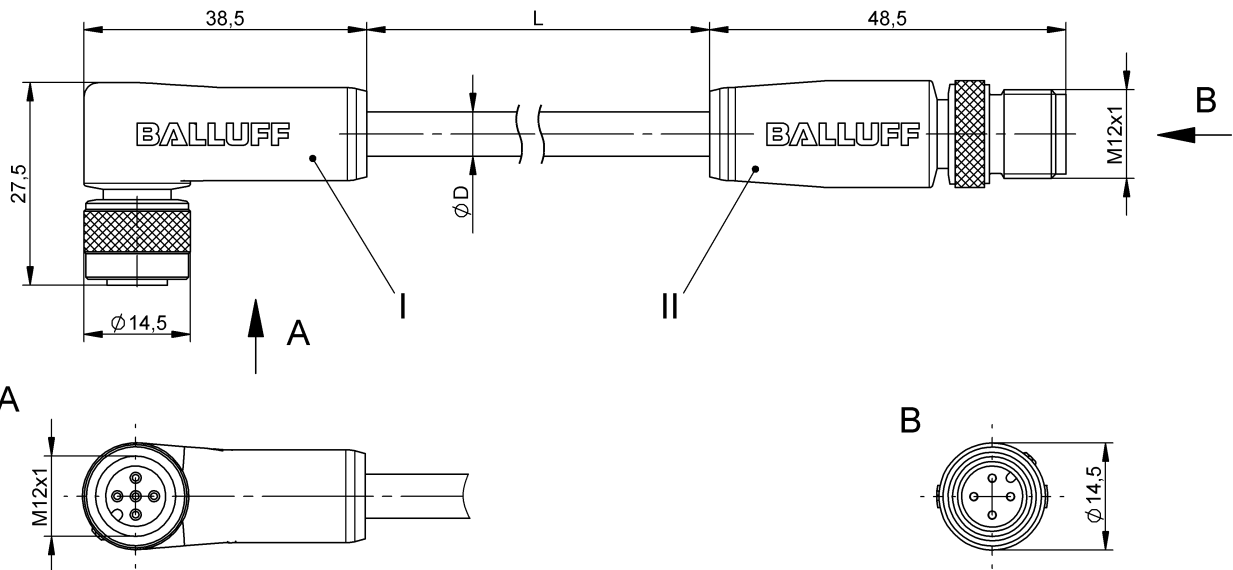


Double-Ended Cordsets  
**BCC W425-W414-3A-304-TW0434-030**  
**Order Code: BCC0F8P**

**BALLUFF**



**Basic features**

<b>Application</b>	Welding area
<b>Approval/Conformity</b>	CE cULus WEEE

**Electrical connection**

<b>Bending radius min., fixed cable</b>	7.5 x D
<b>Bending radius min., flexible cable</b>	15 x D
<b>Cable</b>	FEP welding spark resistant black, 3 m
<b>Cable diameter D</b>	4.10 mm ±0.30 mm
<b>Conductor cross-section</b>	0.34 mm <sup>2</sup>
<b>Connection 1</b>	M12x1-Female, angled, 5-pin, A-coded
<b>Connection 2</b>	M12x1-Male, straight, 4-pin, A-coded
<b>Number of conductors</b>	4
<b>System</b>	Molded/Molded

**Electrical data**

<b>Operating voltage U<sub>b</sub></b>	250 VDC / 250 VAC
<b>Rated current (40 °C)</b>	4.0 A

**Remarks**

Cable construction acc. to UL-AWM Style 2749  
 Maximum temperature at outer jacket from weld spatter/beads short-time 800°C.  
 Flame-retarding  
 Enclosure rating per IEC 60529, only in screwed state with the associated mating piece.

**Environmental conditions**

<b>Cable temperature, fixed routing</b>	-100...200 °C
<b>Connector 01, temperature max.</b>	100 °C
<b>IP rating</b>	IP65/IP65

**Interface**

<b>Switching output</b>	Complementary
-------------------------	---------------

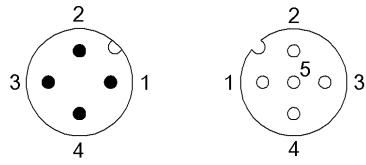
**Material**

<b>Cable jacket material, note</b>	welding spark resistant
<b>Cable jacket, material</b>	FEP
<b>Material contact carrier</b>	PUR, special/PUR, special
<b>Material contacts</b>	Bronze/Brass
<b>Material cover nut</b>	Brass PTFE coated/Brass PTFE coated
<b>Material grip</b>	PUR, special/PUR, special

**Mechanical data**

<b>Cable jacket, color</b>	black
<b>Cable length L</b>	3.00 m
<b>Tightening torque pigtail</b>	0.6 Nm/0.6 Nm

## Connector Drawings



- |              |                 |
|--------------|-----------------|
| II           | I               |
| PIN 1: brown | PIN 1: brown    |
| PIN 2: white | PIN 2: white    |
| PIN 3: blue  | PIN 3: blue     |
| PIN 4: black | PIN 4: black    |
|              | PIN 5: not used |

## Wiring Diagrams

